

**HAZCOOL**  
BASELINE



## HAZCOOL BASELINE WATER CHILLER UNIT DATA SHEET

The HAZCOOL BASELINE Water Tank Chiller Unit, is designed and constructed for use in explosive atmospheres (Zone 1, Zone 2) within the oil and gas, marine and petrochemical industries. This unit is manufactured using high quality, industry standard components and is cased in powder coated zintec within an ISO9001 accredited quality management system, to provide our clients with a high quality, safe and reliable product. This ATEX compliant unit is primarily designed to provide cooling to a self contained safety shower.

Efficiency, reliability and safety are some of the key design criteria for the HAZCOOL BASELINE Water Tank Chiller Unit. The chiller unit regulates the fluid temperature, between +18°C and +36°C. Multiple ATEX protection concepts are applied to ensure the chiller unit complies with all relevant ATEX directives. Controls are designed for ease of operation, without the need for complicated programming whilst still maintaining reliable and efficient automated control of fluid temperature. Typical applications of this water chiller unit are such as water temperature regulation, Safety/Decontamination Showers and small capacity fluid systems which require close temperature regulation.

WATER TANK CHILLER UNIT DATA		
GENERAL DATA		
No.	Description	Data
1	Model	BHZ1-0030G111
2	Suitable Environment	Zone 1
3	Unit Classification	II 2G IIB T3
4	Operating Limits	-5 to +60 (°C)
5	Ingress Protection Classification	IP 65
6	Noise Level (at 1m distance)	65 (dBa)
7	Safety Features	Compressor Motor Protection, Phase Sequence Monitor, HP and LP Safety Switch, Flow Switch
8	Total Cooling Duty	3 (kW)
9	Chilled Water Temperature Range	+18 to +36 (°C)
10	Refrigerant	R134a
11	Duty Design Temperature	+43 (°C)
12	Evaporating Temperature	+15 (°C)
13	Condensing Temperature	+65 (°C)
14	Maximum Allowable Pressure	27.6 / 400 (barg/psig)
15	Unit Operating Weight	227 (kg)
16	Overall Dimensions (l x w x h)	996 x 690 x 1172 (mm)
17	Service Space/ Airflow Clearance	600 (mm)
18	Condenser Airflow/ Fin & Tube Material	0.2 (m <sup>3</sup> /s) / CuTube - AlFin
19	Casing Material	Zintec
20	Casing Material Finish	Powder Coated
21	Fluid Flow Rate	2.16 (m <sup>3</sup> /h)
22	Fluid Supply Connection Type/ Size	Female BSP / 3/4" (inch)
23	Fluid Return Connection Type/ Size	Female BSP / 3/4" (inch)
24	Internal Water Circuit Material	ABS Thermoplastic Polymer
25	Electrical Power Supply	400±10%V / 3 / 50 or 460±10%V / 3 / 60 (V/Ph/Hz)
26	Total Power Consumption	1.79 (kW)
27	Running Current	4.35 (A)
28	Control Voltage	230 (Vac)

### MANUFACTURERS AND SUPPLIERS OF EMERGENCY SAFETY SHOWERS AND EYEBATHS

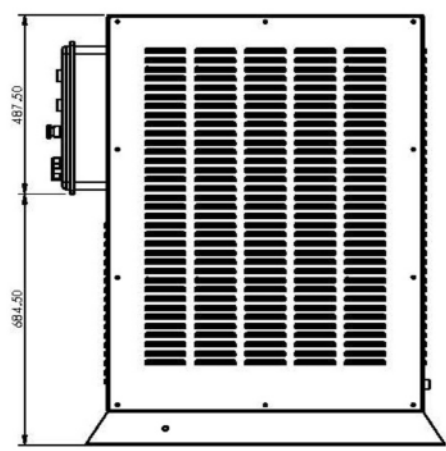
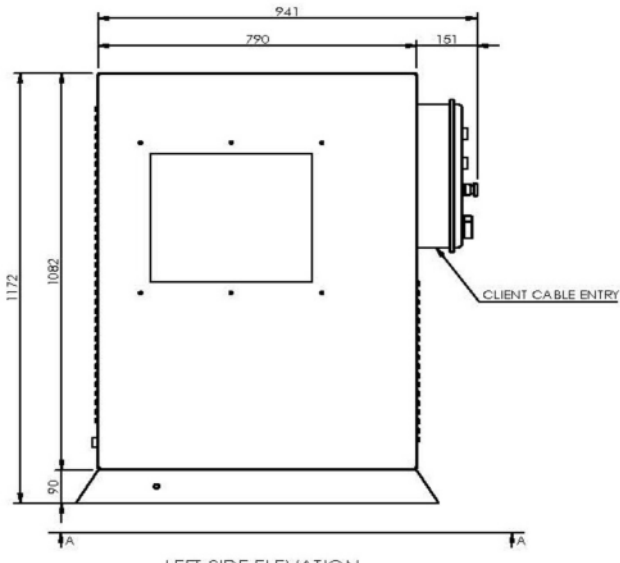
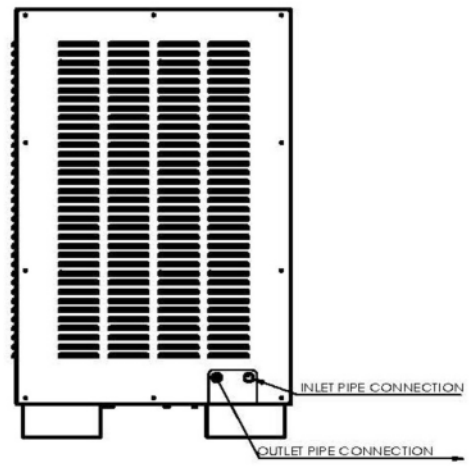
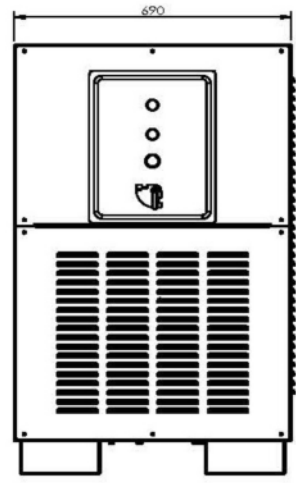
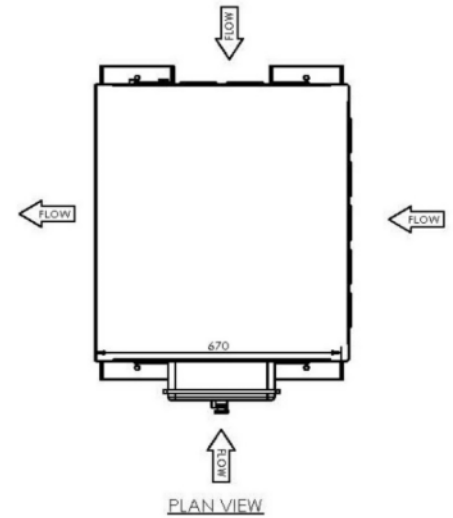
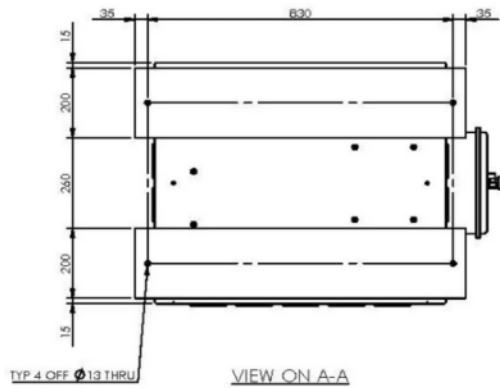
#### AQUA SAFETY SHOWERS INTERNATIONAL LTD

Unit 3, Prospect Industrial Estate, Platt Lane, Hindley, Wigan, Lancashire WN2 3PA. United Kingdom.

Telephone : +44 (0) 1942 318096 Fax : +44(0) 1942 258048 Email: [sales@safetyshowersinternational.com](mailto:sales@safetyshowersinternational.com) Website: [www.safetyshowersinternational.com](http://www.safetyshowersinternational.com)

**DIMENSIONS**

- 29
- 30
- 31
- 32
- 33
- 34
- 35
- 36
- 37
- 38
- 39
- 40
- 41
- 42
- 43
- 44
- 45
- 46
- 47
- 48
- 49
- 50
- 51
- 52
- 53
- 54
- 55
- 56
- 57
- 58
- 59
- 60
- 61
- 62
- 63
- 64
- 65
- 66
- 67
- 68
- 69
- 70
- 71
- 72
- 73
- 74
- 75
- 76
- 77
- 78
- 79
- 80
- 81
- 82
- 83



**MANUFACTURERS AND SUPPLIERS OF EMERGENCY SAFETY SHOWERS AND EYEBATHS**

**AQUA SAFETY SHOWERS INTERNATIONAL LTD**

Unit 3, Prospect Industrial Estate, Platt Lane, Hindley, Wigan, Lancashire WN2 3PA. United Kingdom.

Telephone : +44 (0) 1942 318096 Fax : +44(0) 1942 258048 Email: [sales@safetyshowersinternational.com](mailto:sales@safetyshowersinternational.com) Website: [www.safetyshowersinternational.com](http://www.safetyshowersinternational.com)